



Options

- DC power options : 12V / 24V / 48V / 110V / 125V



LCD-A2005
DP-USB dongle



LCD-A2004
HDMI-USB dongle



LCD-A2003
DVI-USB dongle

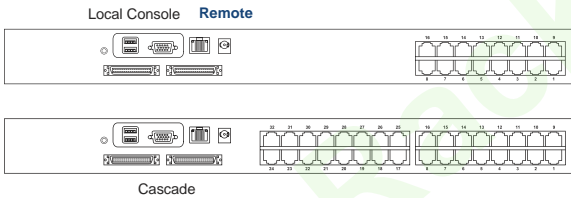


LCD-A2001
VGA-USB dongle



LCD-A2002
VGA-PS/2 dongle

Basic Models - local console + remote console

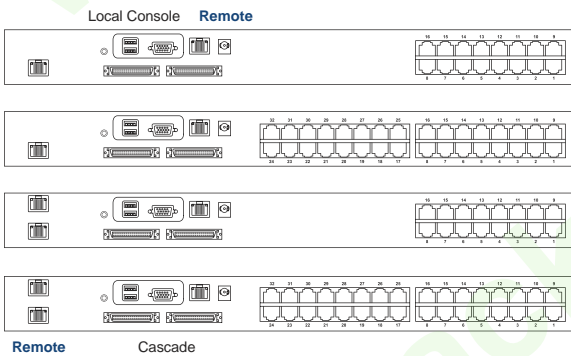


LCDK2006-2

LCDK2007-2

KVM Port	
Port # :	16 or 32
Connector :	RJ-45
Connectivity :	DP / HDMI / DVI-D / VGA dongle via Cat6 / Cat5 cable to server up to 40 meters (132 feet)
Resolution :	16:9 - max. 1920 x 1080 / 4:3 - max. 1600 x 1200
Local Console	
Graphic Connector :	1 x DB-15 VGA
Input device :	2 x USB type A for keyboard & mouse
Resolution :	16:9 - max. 1920 x 1080 / 4:3 - max. 1600 x 1200

Remote Models - local console + remote console x (2 or 3)




LCDK2006-3

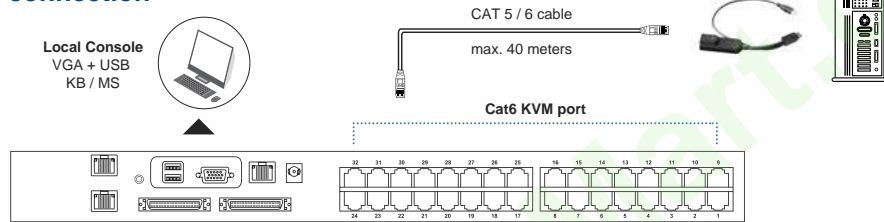
LCDK2007-3

LCDK2006-4

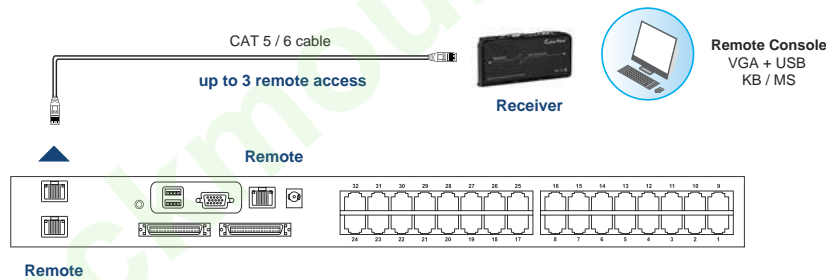
LCDK2007-4

Remote Console	
Connector :	RJ45
Connection :	via Cat5 / Cat6 cable to receiver box
Receiver box I/O :	VGA + 2 x USB type A for keyboard & mouse
Resolution :	16:9 - (1920 x 1080) Max. 50 meters 16:10 - (1920 x 1200) Max. 50 meters 16:10 - (1440 x 900) Max. 100 meters 4:3 - (1600 x 1200) Max. 100 meters 4:3 - (1280 x 1024) Max. 150 meters
 Receiver box	

Local console & KVM port connection

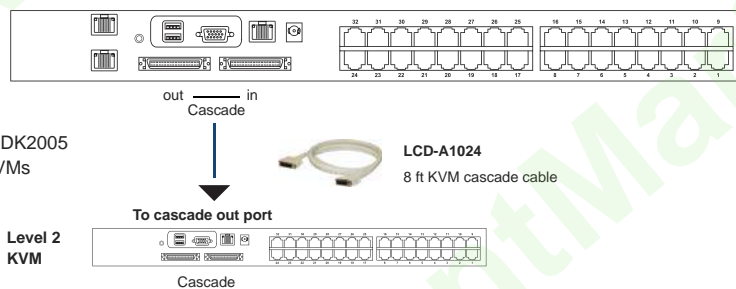


Remote console connection



KVM Cascade

- 8-level cascade up to 256 servers
- KVM cascade via LCD-A1024
- Level 2 - 8 KVM must be basic models : LCDK2006 / LCDK2007 / LCDK2004 / LCDK2005
- 1st level KVM takes all control of slave KVMs



Management	
Port switching	OSD, front button & keyboard hotkeys
Expansion	8-level cascade up to 256 servers

Power	
Input	Auto-sensing 100 to 240VAC, 50 / 60Hz
Consumption	Max. 34W

Compatibility	
Hardware	HP / IBM / Dell PC, Server and Blade Server SUN / Mac
OS support	Windows / Linux / Unix / Mac OS

Compliance	
Safety	cUL, FCC & CE certified
Environment	RoHS2 & REACH compliant

Environment	
Operating temp.	0 to 55°C degree
Storage temp.	-20 to 60°C degree
Operating humidity	20~90%, non-condensing
Storage humidity	5 ~90%, non-condensing
Operating altitude	16,000 ft
Non-operating altitude	40,000 ft
Shock	10G acceleration (11ms duration)
Vibration	10~300Hz 0.5G RMS random vibration

Physical	
Product (W x D x H)	443 x 171 x 44 mm 17.4 x 6.7 x 1.73 inch
Weight (Net)	3 kg / 6.6 lb
Chassis color	Dark
Chassis materials	Steel